

***microcontroller based***  
**DIGITAL TAP POSITION TRANSMITTER**  
**MODEL : TPI - 301 & TPI - 301C**



**UNIQUE FEATURES :**

- \* Remote Digital Tap Position Indication (Max. No. of TAPS : 99, Resistance / TAP : 1k Ohm).
- \* 4- 20mA Output (for SCADA application) corresponding to Maximum Tap of OLTC. Max. TAP is programmable at site.
- \* Universal Power Supply 90V ..... 270V AC / DC.
- \* Remote Digital Indication of Tap Count up to 999999 units (Model : TPI - 301C).
- \* RS 232 / RS 485 Mod bus Communication (Optional).
- \* Compact, Elegant and Din Standard Panel Mounting Enclosure.

**Application :**

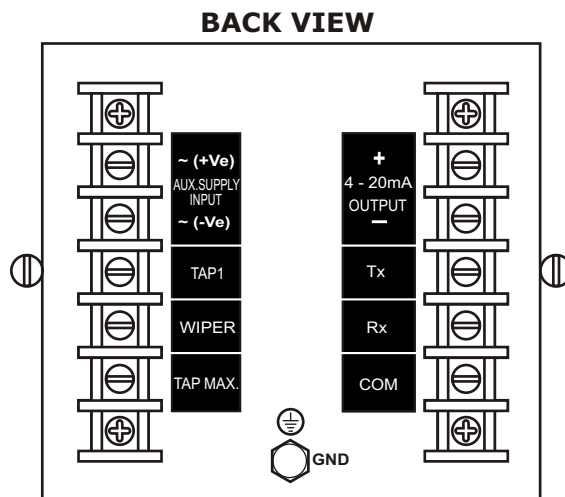
Model TPI - 301 / TPI - 301C is a Microcontroller based Equipment used for Remote Indication of Tap Position of OLTC's. It accept 1k Ohms / Tap resistance 3 wire Input from OLTC and displays the actual Tap Position. 4-20mA Output has been provided as a Standard Feature. 4mA Corresponds to Tap No.1 and 20mA Corresponds to Max. Tap in OLTC. The Max. Tap is programmable on the Controller at site. The Equipment is Powered by an SMPS which can accept a wide variation in the Input Aux. Supply.

Optional features are provided to Indicate the number of operation of Tap Changer and also RS 232 / RS 485 Mod bus Communication Port for SCADA application.

## Technical Specifications :

<b>Aux. Supply</b>	: 90V ..... 260V AC / DC 8VA.
<b>Tap Position Input from OLTC</b>	: 3 Wire Resistance Input.
<b>Step Resistance</b>	: 1k Ohms / Tap.
<b>Max. Tap Positions</b>	: 99 Taps.
<b>Displays</b>	: a). 2 Digit 7 Segment LED display to indicate Tap Position.  b). 6 Digit 7 Segment LED display to indicate TAP COUNT (Model : TPI - 301C).
<b>Current Output</b>	: 4 - 20mA, 2 Wire Output Proportional to Max. TAP on OLTC. Max. Loop Resistance : 1000 Ohms.
<b>COM - PORT</b>	: RS 232 / RS 485 with Mod bus Communication (Optional).
<b>Overall Dimension</b>	: 96 mm x 96 mm x 110 mm.
<b>Panel Cutout Dimension</b>	: 90 mm x 90 mm.
<b>Operating Temperature</b>	: -5 °C to +55 °C.

## Terminal Block Details :



**Note : Due to Continuous development, the above specifications may change without prior notice.**

**Manufactured by :**

**P.E. SYSTEMS PVT. LTD.**

Regd. Office & Works. # 13 & 14,  
Begur Road 1st Cross,  
Bommanahalli,  
Bangalore - 560 068. INDIA  
Ph : 080 - 2573 5091 / 2573 5092  
E-mail : sales@pesystems.co.in

**Authorized dealer :**